



# MiVue™ J20



**User Manual**

**mio™**  
all about you

Revision: R00  
(07/2024)

### **Disclaimer**

The screenshots in this manual may differ between different operating systems and software versions. You can download the latest User Manual of your product from Mio™ website ([www.mio.com](http://www.mio.com)).

Specifications and documents are subject to change without notice. MiTAC does not warrant this document is error-free. MiTAC assumes no liability for damage incurred directly or indirectly from errors, omissions or discrepancies between the device and the documents.

### **Note**

Not all models are available in all regions.

Depending on the specific model purchased, the colour and look of your device and accessories may not exactly match the graphics shown in this document.

MiTAC Europe Ltd.  
The Pinnacle, Station Way, Crawley RH10 1JH, UK  
MiTAC Europe Ltd. Sp. Z o. o, Oddział w Polsce  
ul. Puławska 405 A, 02-801 Warszawa, Poland

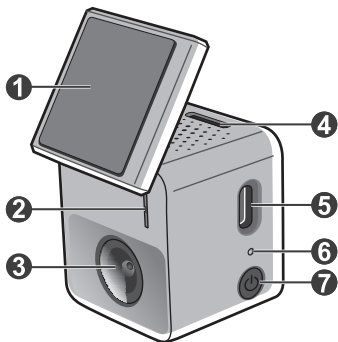
# Table of Contents

Getting to know your dash cam.....	3
MiVue J20 .....	3
Using a memory card .....	4
Formatting a card .....	4
Getting connected .....	5
MiVue Pro.....	5
Setting up a WIFI connection .....	5
Using MiVue Pro .....	6
Updating your dash cam .....	6
Using your dash cam in a vehicle.....	7
Precautions and notices.....	7
Mounting the dash cam.....	8
Function Button operations & LED indicator .....	10
Recording in driving mode.....	11
Continuous recording .....	11
Event recording .....	11
Customising the settings .....	12
Video Recording.....	12
System .....	12
For more information .....	13
Caring for your device.....	13
Safety precautions.....	14
Regulatory information .....	14
WEEE.....	16

# Getting to know your dash cam

① Screenshots and other presentations shown in this manual may differ from the ones generated by the actual product.

## MiVue J20



- ① Mounting base
- ② Microphone
- ③ Camera lens
- ④ Memory card slot
- ⑤ USB-C port
- ⑥ LED indicator
- ⑦ Function Button

## Using a memory card

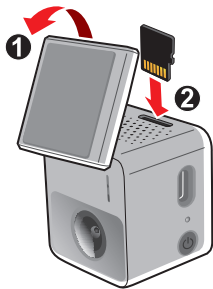
- ① MiTAC does not guarantee the product's compatibility with MicroSD cards from all manufacturers.
- ① The memory card slot is not hot-swappable. Insert the memory card before powering on your Mio. DO NOT remove the memory card during recording. Turn the device off before removing the memory card.

You have to insert a memory card before you can start recording. This device supports Speed Class 10 memory cards with capacity between 16 and 128GB. You should use separate MicroSD cards for recording and for regular data storage.

Insert the memory card before powering on your Mio. DO NOT remove the memory card during recording. Turn the device off before removing the memory card.

Hold the card (MicroSD) by the edges and gently insert it into the slot as shown in the illustration. Do not apply pressure to the centre of the memory card.

To remove a card, gently push the top edge of the card inwards to release and pull it out of the slot.



## Formatting a card

Before you start recording, please format the MicroSD card to avoid malfunction caused by files not created by your Mio.

To format a memory card (all data will be erased):

1. Use the MiVue Pro app and tap  > **Settings** > **Format SD card**.
2. Press the dash cam's Function Button three times.

# Getting connected

## MiVue Pro

① The MiVue Pro app is compatible with iOS 9.0 (and above) and Android 5.0 (and above) devices. MiTAC does not guarantee the product's compatibility with smartphones from all manufacturers. Not all MiVue dash cam models support the MiVue Pro app or all its features.

MiVue Pro allows you to view, share and back up the videos recorded on a MiVue dash cam via WIFI. Search for “MiVue Pro” in the Apple App Store or Google Play Store to download the app for free.

## Setting up a WIFI connection

① The WIFI connection between your Mio and smartphone is not Internet-enabled.

① While not connected to MiVue Pro, WIFI will turn off automatically after 60 seconds of inactivity. You can also turn it off manually by pressing the Function Button once.

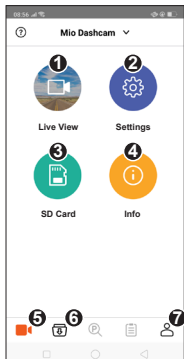
The WIFI function allows you to connect the dash cam to your smartphone. The WIFI function is disabled by default. On your dash cam, press the Function Button once to enable WIFI. The WIFI indicator glows in blue when WIFI is enabled.

On your smartphone, follow the steps to set up the WIFI connection:

1. Make sure WIFI is enabled.
2. Launch MiVue Pro, tap the **+** icon located at the centre of the screen.
3. Select your model from the list of devices then tap **Select WIFI**.
4. Select the device's SSID (MiVue\_XXXX) and enter the network password (default password: 1234567890).
5. Return to MiVue Pro and tap **Done** to complete the WIFI connection.

## Using MiVue Pro

1. **Live View:** Shows the live-view of the dash cam.
2. **Settings:** Configures device settings.
3. **SD Card:** Browses files saved on the device's SD card.
4. **Info:** Displays device information.
5. **Home:** Returns to the app's main page.
6. **File Explorer:** Browses files downloaded to the app.
7. **App Info:** Changes the app's storage location and performs firmware updates.



## Updating your dash cam

Occasionally, MiTAC may offer you various software updates (including device firmware and audio data). You can upgrade the data using OTA updates via MiVue Pro. When new data is available for download, you will be asked to upgrade the data after opening the app. Follow on-screen instructions to complete the update.

# Using your dash cam in a vehicle

## Precautions and notices

- Do not operate the device while driving. Using this product does not change the requirement for a driver to take full responsibility for his or her driving behaviour. This responsibility includes observing all traffic rules and regulations in order to avoid accidents, personal injuries or property damage.
- Make sure that you place the dash cam in an appropriate place, so as not to obstruct the driver's view or deployment of airbags.
- Make sure that no object is blocking the camera lens and no reflective material is placed near the lens. Please keep the lens clean.
- If the car's windscreen is tinted with a coating, it may impact recording quality.
- To ensure the highest quality recordings, you are advised to place the dash cam near the rear view mirror.
- Select an appropriate location for mounting the device in a vehicle. Never place the device where the driver's field of vision is blocked.
- The system will automatically calibrate the G-sensor of the device during startup. To avoid G-sensor malfunction, always turn the device on AFTER it is properly mounted in the vehicle.

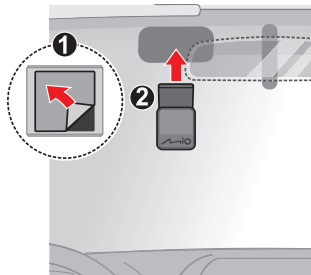
## Mounting the dash cam

Make sure your car is parked on level ground. Follow the instructions below to mount your dash cam in a vehicle securely.

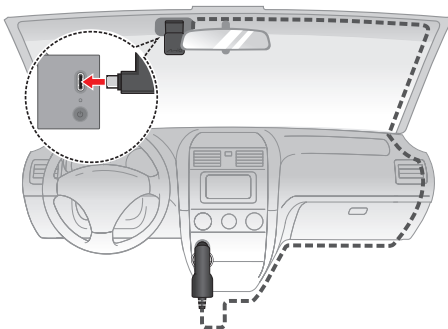
1. Before attaching the device mount to the windscreen, it is recommended to clean the windscreen with rubbing alcohol and make sure that the installation area is free of dust, oil and grease.



2. Attach the static cling film to the windscreen, and then install the mount over the static cling film.



3. Connect the vehicle power adapter to the cigarette lighter. Route the cable through the top ceiling and the A-pillar so that it does not interfere with driving. Make sure that the cable installation does not interfere with the vehicle's airbags or other safety features.

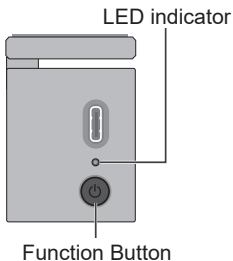


4. Connect the dash cam to MiVue Pro via WIFI and use the app's live view feature to adjust the viewing angle of the dash cam. When adjusting the angle of mounting, make sure that the camera's view is parallel with level ground and the ground to sky ratio is close to a 50/50 split.

① Video image can be rotated 180 degrees by using MiVue Pro. Please refer to "Customising the Settings" for additional information.

① The placement of the device and cables may vary depending on the vehicle model. If you encounter any problems during installation, contact a skilled installer (such as the service personnel of the vehicle) for assistance.

## Function Button operations & LED indicator



Function	Button Operation
Turn on the device	Press the Function Button once (while the device is off)
Enable/disable WIFI	Press the Function Button once (while the device is on)
Enable/disable audio recording	Press the Function Button twice
Format memory card	Press the Function Button three times
Restore the device to factory default settings	Press the Function Button five times
Turn off the device	Press & hold the Function Button for three seconds

① The device will also turn on or off automatically as the vehicle engine is started or stopped, respectively.

LED Indicator	Device Status
	Normal / continuous loop recording is in progress
	Emergency / event recording is in progress
	WIFI is enabled
	The device is connected to a smartphone via WIFI
	Device error / memory card not detected
	Formatting memory card / updating device firmware

# Recording in driving mode

① Make sure the dash cam is connected to a power source so that the system turns on to start recording.

## Continuous recording

The system will automatically begin continuous recording shortly after start-up.

The recording may be divided into several video clips; recording will not stop between video clips. When your memory card fills up with continuous recordings, it will automatically record over the oldest existing files in this category.

Continuous recordings can be found in the “Normal” category for file playback.


## Event recording

By default, if an event happens, such as a sudden impact, high speed driving, an aggressive turn or an accidental crash during continuous recording, the G-sensor will prompt your Mio to start recording the event.

① You can change the sensitivity level of the G-sensor via MiVue Pro. Please refer to “Customising the Settings” for additional information.

If an event was detected within the first 30 seconds of a recording, the current video file as well as the file recorded immediately before the current recording are copied to the Event folder. If an event was detected after the initial 30 seconds of recording, the current video will continue to record for an additional 30 seconds before it is copied to the Event folder. When your memory card fills up with event recordings, it will record over the oldest existing files in this category.

# Customising the settings

Open MiVue Pro on the connected smartphone and tap  > **Settings** to configure system settings.

## Video Recording

- **Video Clip Length:** Sets the length of each video clip for a continuous recording.
- **Frequency:** Sets the frequency (**50 Hz** or **60 Hz**) for the camera to avoid problems caused by artificial light sources that are not constant.
- **EV:** Sets the exposure level to adjust the brightness of the image.
- **G-Sensor:** Sets the sensitivity level of the G-sensor that allows automatic triggering of the event recording while continuous recording is in progress.
- **Record Sound:** Sets if you want to include sounds in the recordings.
- **Flip Video:** Flips the camera image by 180 degrees if the device is to be mounted upside down.

## System

- **Welcome Sound:** Enables or disables the startup sound.
- **Volume:** Adjusts the volume level.
- **Format SD card:** Formats the memory card (all data will be erased).
- **Restore to Defaults:** Restores system settings to factory default.

## For more information

### Caring for your device

Taking good care of your device will ensure trouble-free operation and reduce the risk of damage.

- Keep your device away from excessive moisture and extreme temperatures.
- Avoid exposing your device to direct sunlight or strong ultraviolet light for extended periods of time.
- Do not place anything on top of your device or drop objects on your device.
- Do not drop your device or subject it to severe shock.
- Do not subject your device to sudden and severe temperature changes. This could cause moisture condensation inside the unit, which could damage your device. In the event of moisture condensation, allow the device to dry out completely before use.
- Never attempt to disassemble, repair or make any modifications to your device. Disassembling, modifying or any attempt to repair could cause damage to your device, may inflict bodily harm or damage to property and will void any warranty.
- Do not store or carry flammable liquids, gases or explosive materials in the same compartment as your device, its parts or accessories.
- To discourage theft, do not leave the device and accessories in plain view in an unattended vehicle.
- Overheating may damage the device.
- Operating temperature: -10°C to 60°C; Storage temperature: -20°C to 70°C.

## Safety precautions

- Use only the charger supplied with your device. Use of another type of charger may result in malfunction and/or danger.
- This product is intended to be supplied by a LISTED Power Unit marked with “LPS”, “Limited Power Source” and output rated + 5 V dc / 2.0 A.
- Do not use the charger in a high moisture environment. Never touch the charger when your hands or feet are wet.
- Allow adequate ventilation around the charger when using it to operate the device or charge the battery. Do not cover the charger with paper or other objects that will reduce cooling. Do not use the charger while it is inside a carrying case.
- Connect the charger to a proper power source. The voltage requirements are found on the product case and/or packaging.
- Do not use the charger if the cord becomes damaged.
- Do not attempt to service the unit. There are no serviceable parts inside. Replace the unit if it is damaged or exposed to excess moisture.

## Regulatory information

For regulatory identification purposes, MiVue J20 is assigned a model number of N753.



Products with the CE marking comply with the Radio Equipment Directive (RED) (2014/53/EU) - issued by the Commission of the European Community.

Compliance with these directives implies conformity to the following European Standards:

EN IEC 62311:2020

EN 50665:2017

EN IEC 62368-1:2020+A11:2020

ETSI EN 301 489-1 V2.2.3(2019-11)

ETSI EN 301 489-17 V3.2.4(2020-09)

ETSI EN 301 489-19 V2.2.1(2022-09)

ETSI EN 303 413 V1.2.1 (2021-04)

ETSI EN 300 328 V2.2.2 (2019-07)

The manufacturer cannot be held responsible for modifications made by the User and the consequences thereof, which may alter the conformity of the product with the CE Marking.

### **IEEE 802.11 b/g/n 2.4GHz**

- Operating frequency range: 2412 - 2472MHz
- Maximum output power: 19.4dBm

### **Declaration of conformity**

Hereby, MiTAC declares that this N753 is in compliance with the essential requirements and other relevant provisions of Directive 2014/53/EU.

## WEEE



This product must not be disposed of as normal household waste, in accordance with the EU directive for waste electrical and electronic equipment (WEEE – 2012/19/EU). Instead, it should be disposed of by returning it to the point of sale, or to a municipal recycling collection point.

## UK Compliance Information

Hereby, MiTAC declares that this device is in compliance with Radio Equipment Regulations 2017.